



Coza Museum,cabinet light  
system Collection

# Mini Lucas Series

2022.11  
HongKong COZA Tech Cop., Limited  
[www.cozatech.net](http://www.cozatech.net)  
[Sales@cozatech.net](mailto:Sales@cozatech.net)  
Factory in Shenzhen China

Size: 370X260mm



1 How can we connect the track to be longer one?

We can use connector pin below




2 We want to have a 2.5, 2.7 meters long track, what can we do?

2.5 meters, we will prepare them in 0.5 meter each, X5 pcs  
2.7 meters, we will prepare you 0.5 meterX4, 0.7 meterX1 pc



3 If you want below U shape installation for glass cabinet, Just use U shape set Mini Lucas


It has slim design L connector + light+ accessories



For this application, we recommend to use **U Shape Set** because its slim design is perfect for see through area

1 Height 200-500mm, Standard 250mm  
2 Length: 0.5M -1M, Standard 0.5M

Square track connector is flexible but better be used in wooden cabinet



Wooden cabinet, we recommend **Square Track**, because Square could be more flexible installed:

1 Square Track (either trim or trimless)  
2 Magnet connector  
3 Power Supply End cap  
4 Mini Lucas Track light

## Content

Main Material and Warrantee

On Track items

Fix Beam Mini Lucas  
Zoomable Mini Lucas  
Linear Mini Lucas

Without Track item

Mini Lucas Standlight *New*  
U Shape Mini Lucas **COMING SOON**

## Mini Lucas Main Material

### Mini Lucas

CRI90 OSRAM SMD LED  
MeanWell Driver  
Magnet Track  
Magnet Adaptor



Mini Lucas is the show case Track light series designed for a museum, Jewelry shop. It is safe low voltage and it has a very small size to be fit into cabinet or demo case. With the magnet design, it is easy for installation, and it has its own mini track system to match with. For the light System, we have Fixed beam angle Tracklight, Changable beam angle Tracklight, Zoomable Tracklight and Linear Tracklight.

Mini Lucas used Osram LED and MeanWell Driver, 3 years warranty.



# Mini Lucas

## Mix and Match design



Horizontal and Vertically Adjustable



Quick Magnet Installation



Track light and Linear light



Small size like this:  
Diameter 19mm



## Mini Lucas

CRI90 OSRAM SMD  
 LED Factory standard  
 Driver Magnet Track  
 Magnet Adaptor  
 Low Voltage

## Fix Beam Mini Lucas



### Lucas Fix beam Tracklight

LFBTWML1.5WB(W/S)

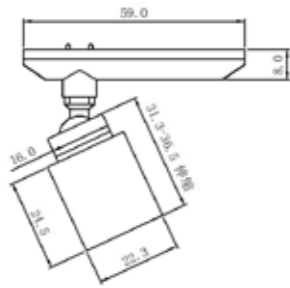
Input	DC12V
Power	1.5W
LED	Osram SMD
Luminous Flux	120-150 lm
CCT	3000K (option: 2700K, 4000K)
Beam Angle	Fixed 10°/30°/45°
CRI	>90
Rotation	360°/90°
Housing color	Black (option White, Silver)
Driver	on/off (dimming)

### Lucas Fix beam Tracklight

LFBTL3WB(W/S)

Input	DC12V
Power	3W
LED	Osram SMD
Luminous Flux	250-300 lm
CCT	3000K (option: 2700K, 4000K)
Beam Angle	20°/45°
CRI	>90
Rotation	360°/90°
Housing color	Black (option White, Silver)
Driver	Factory standard on/off (dimming)

## Zoomable Mini Lucas



### Lucas Zoomable Tracklight

LZTL2WB(W/S)	
Input	DC12V
Power	2W
LED	Osram SMD
Luminous Flux	150-200 lm
CCT	3000K (option: 2700K, 4000K)
Beam Angle	8°-60°
CRI	>90
Rotation	360°/90°
Housing color	Black (option White, Silver)
Driver	Factory standard on/off (dimming)

Lucas Zoomable Track light is designed to be Zoomable from 8° to 60°. You can rotate the light body to zoom in and zoom out.

## Linear Mini Lucas



### Lucas Linear Light

LLL7WB (W/S)	
Input	DC12V
Power	3W
LED	Osram SMD
Luminous Flux	300-350 lm
CCT	3000K (option: 2700K, 4000K)
Beam Angle	120° Wide flood
CRI	>90
Rotation	N/A
Housing color	Black (option White, Silver)
Driver	on/off (dimming)
Length:	300X10X13mm

### Lucas Laser Blade

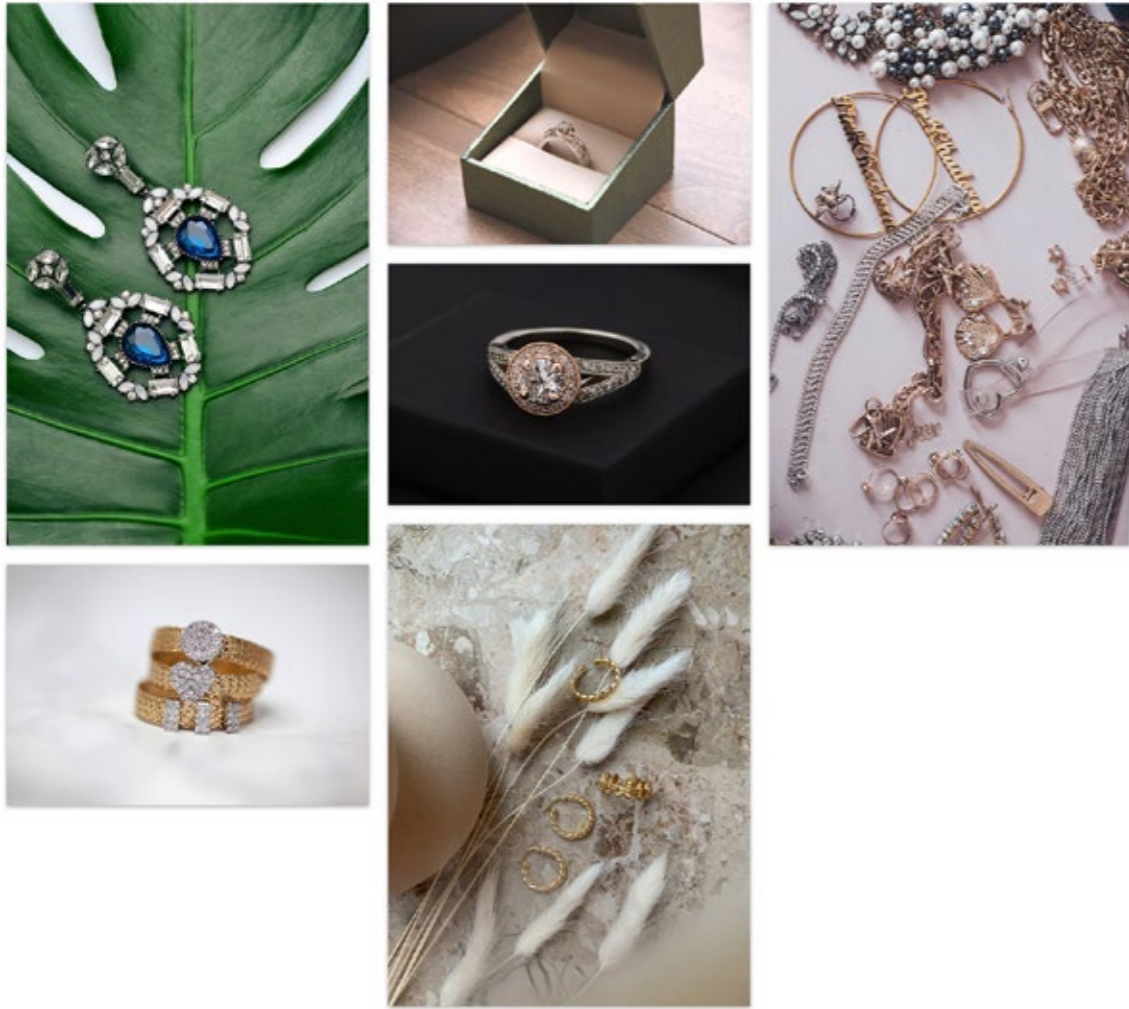
LLB3W(B/W)	
Input	DC12V
Power	3W
LED	Osram SMD
Luminous Flux	300-350 lm
CCT	3000K (option: 2700K, 4000K)
Beam Angle	36°
CRI	>90
Rotation	N/A
Housing color	Black (option White, Silver)
Driver	on/off (dimming)
Length:	118X14X14mm



Without Track Now

Mini Lucas





# Mini Lucas light LUXURY JEWELRY

COZA  
VICTORIA

colors are the smiles of  
nature

*Used in Jewelry shop*



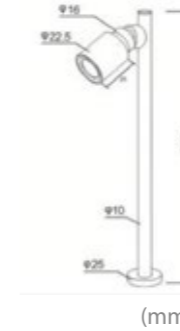


Or Museum





## Mini Lucas Stand Light



### Lucas Stand Light Fix Beam

LSL1.5W(B/W)

Input	DC12V
Power	1.5W
LED	Osram SMD
Luminous Flux	120-150 lm
CCT	3000K (option: 2700K, 4000K)
Beam Angle	Fixed 30°
CRI	>90
Rotation	360°/90°
Housing color	Black (option White, Silver)
Driver	on/off (dimming)

### Lucas Stand Light Fix Beam

LSL3W(B/S)

Input	DC12V
Power	3W
LED	Osram SMD
Luminous Flux	120-180 lm
CCT	3000K (option: 2700K, 4000K)
Beam Angle	Fixed 10/25/45/60°
CRI	>90
Rotation	360°/90°
Housing color	Black (option White, Silver)
Driver	on/off (dimming)
Installation Cut:	10mm

### Lucas Stand Light Zoomable

LSLZ3W(B.L)	
Input	DC12V
Power	1*3W 250 mA
LED	Osram SMD
Luminous Flux	120-200 lm
CCT	3000K (option: 2700K, 4000K)
Beam Angle	Fixed 8-60°
CRI	>90
Rotation	360°/90°
Housing color	Black (option Silver)
Driver	on/off (dimming)
Installation Cut:	Dia 8mm

## U Shape Set Mini Lucas



**COMING SOON**



### Lucas Stand Light Fix Beam

LSL2\*1WB(L)

Input	DC12V
Power	1*3W 250 mA
LED	Osram SMD
Luminous Flux	220-280 lm
CCT	3000K (option: 2700K, 4000K)
Beam Angle	Fixed 25°/45°
CRI	>90
Rotation	360°/90°
Housing color	Black (option Silver)
Driver	on/off (dimming)
Installation Cut:	Dia 8mm

### Lucas Stand Light Fix Beam

LSL3\*1WB(L)

Input	DC12V
Power	1*3W 250 mA
LED	Osram SMD
Luminous Flux	300-390 lm
CCT	3000K (option: 2700K, 4000K)
Beam Angle	Fixed 25°/45°
CRI	>90
Rotation	360°/90°
Housing color	Black (option Silver)
Driver	on/off (dimming)
Installation Cut:	Dia 8mm

**It has slim design  
L connector +  
light+ accessories**

For this application, we recommend to use **U Shape Set** because its slim design is perfect for see through area

1 Height  
200-500mm,  
Standard 250mm

2 Length: 0.5M -1M,  
Standard 0.5M